

<b>Title:</b>	How to Set Access Controller's linkage action with Fire Alarm Module	<b>Version:</b>	v1.0	<b>Date:</b>	2018/1/10
<b>Product:</b>	Access Control Devices	<b>Page:</b>	1 of 3		

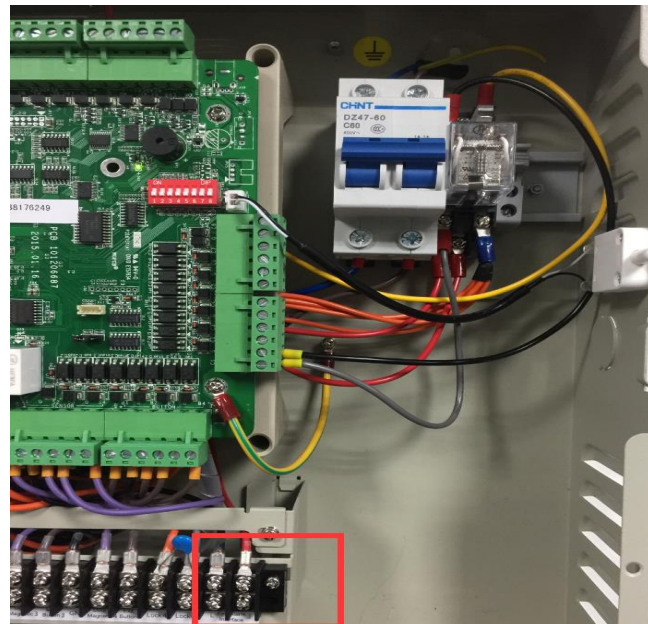
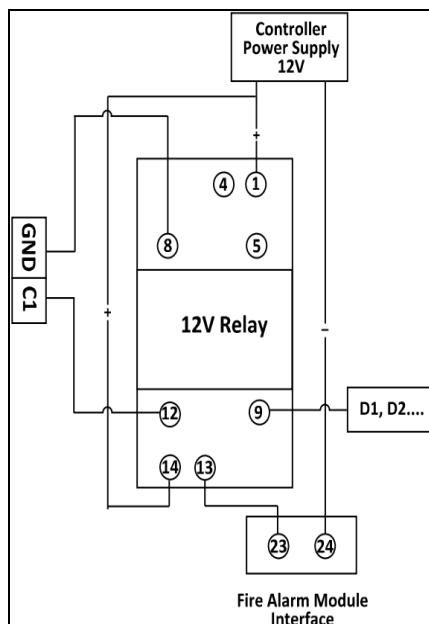
## Description

DS-K2600 series access controller can open all its doors when fire alarm signal triggers. Also, we can link other linkage actions such as buzzer or alarm output for fire alarm reaction.

**Note:** Controller's power supply must be cut off when doing all the hardware wiring steps.

## Detail Steps

### Step 1: Connect Third Party Firm Alarm Signal to K2600's Firm Alarm Interface.



Connect third party fire alarm signal to controller's fire alarm module terminals 23 and 24 as showed in left picture above. The position of terminals in controller is showed in red block from right picture above. This pair of terminals is NO type, that mean normally is it open circuit, when terminals connected, the alarm will tigger.

### Step 2: Set Other Linkage Actions When Fire Alarm Triggers

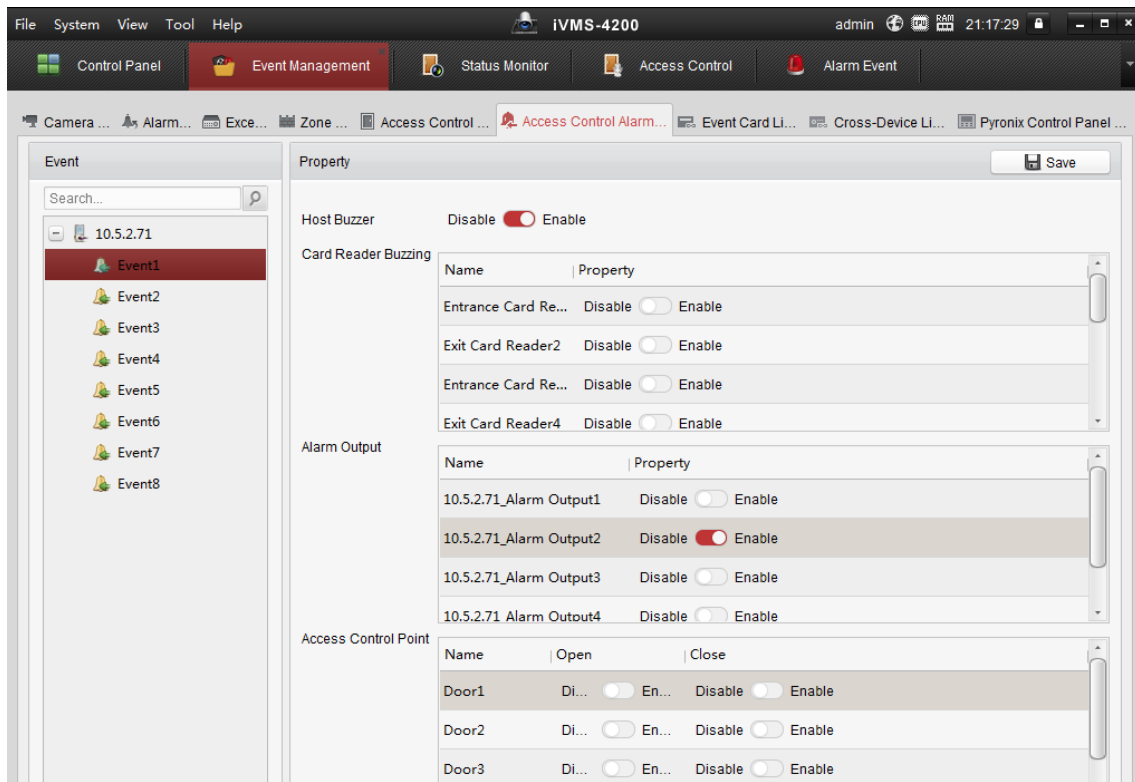
The fire alarm module can also enable controllers case input 1 when fire alarm. signal triggers. So we can set linkage action in iVMS 4200 event management, as show in picture below

We can link host buzzer, card reader buzzer and alarm outputs for fire alarm signal. But link door's remain open or remain close will be noneffective. Because the fire alarm module skips door's relay output, directly control doors power supply. That means, even when the relay is in colse status, the door will still open because the

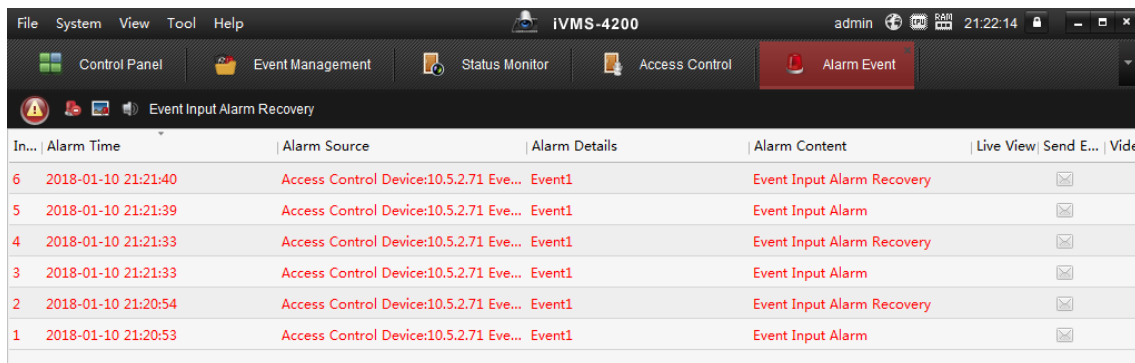
<b>Title:</b>	How to Set Access Controller's linkage action with Fire Alarm Module	<b>Version:</b>	v1.0	<b>Date:</b>	2018/1/10
<b>Product:</b>	Access Control Devices	<b>Page:</b>	2 of 3		



firm alarm module cut off all door's power supply directly. This method can guarantee the door will open when the fire alarm triggers. And this is also the reason we can not get unolcking event log if the door is unolcked by fire alarm signal(only door relay's open or close will generate unolcking event log).



Linkage Action



No Unlocking Event if Door Unlocked by Fire Alarm

<b>Title:</b>	How to Set Access Controller's linkage action with Fire Alarm Module	<b>Version:</b>	v1.0	<b>Date:</b>	2018/1/10
<b>Product:</b>	Access Control Devices	<b>Page:</b>	3 of 3		



**First Choice for Security Professionals**  
***HIK*VISION Technical Support**