



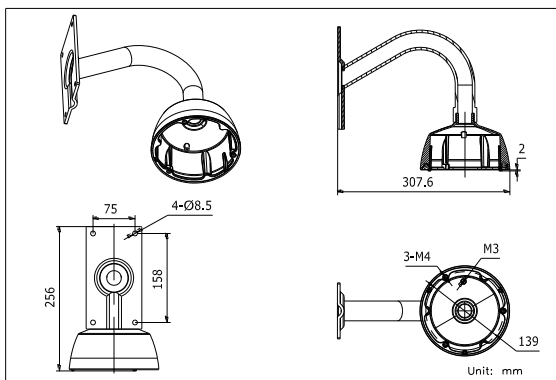
## DS-1267ZJ

Wall mount for DS-2CD72XX series

### Features:

- Aluminum alloy material with surface spray treatment
- Beautiful design with wire outlet hole
- Weather proof with goose neck design
- Special bracket for DS-2CD72XX series

### Dimension:



### Order model:

DS-1267ZJ

### Parameters:

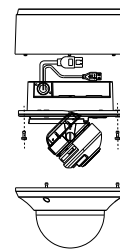
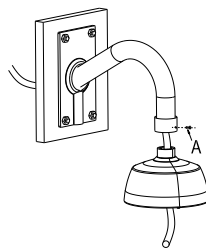
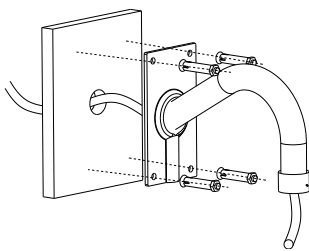
Model	DS-1267ZJ
Parameters	Wall mount for DS-2CD72XX series
Color	Hik white
Feature	Suitable for DS-2CD72XX series dome cameras
Material	Aluminum alloy
Dimension	160×256×307.6mm (6.30"×10.08"×12.11")
Weight	1300g (2.87lbs)
Optional bracket	DS-1215ZJ(pole mount)

### Notice:

- This bracket is only available for DS-2CD72XX series dome cameras
- Pay attention to the color matching when select bracket
- The bracket should be installed on flat wall
- The wall must be capable of supporting more than 3 times the total load of the camera and the mount.
- The maximum load capacity of the mount is 4.5KG

### Installation steps:

- ① Select suitable wall for installation
- ② Install the change over bowl to the goose neck, fix it with lock screw and thread the wire
- ③ Open the dome housing, loosen the lock screw then take down the dome core and bottom case



Notice: A is lock screw.

- ④ Finish wiring, install the dome core on the change over bowl and adjust camera angle.
- ⑤ Tighten the lock screw then install dome housing
- ⑥ Finish the installation

