



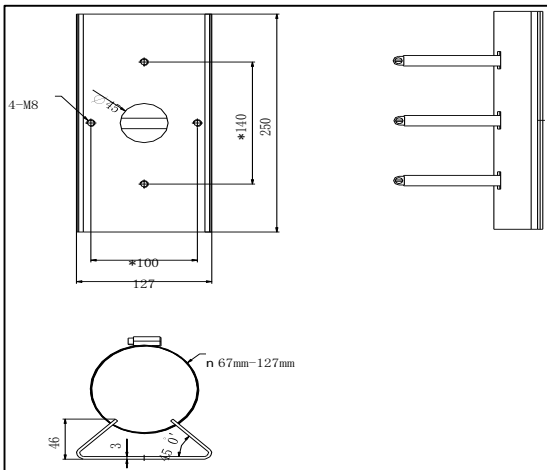
DS-1275ZJ-4626

Vertical Pole Mount Bracket

Features:

- For pole mounting
- The clasp is made of stainless steel
- Mounting board is made of steel

Dimension:



Order Model:

DS-1275ZJ-4626

Parameter:

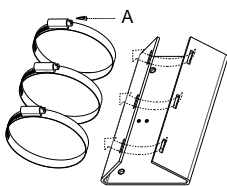
Model	DS-1275ZJ-4626
Parameter	Vertical Pole Mount Bracket
Appearance	Hik White
Range of Application	It can be used with some wall mount bracket Diameter of clamp: Φ 67mm-127mm
Material	Steel
Dimension	127×46×250mm
Weight	1235g

Notice:

- The site of screw hole should be noticed when using with wall mount bracket
- Load capacity of pole should be more than 3 times the weight of camera and bracket
- Load capacity of clamp is 10KG

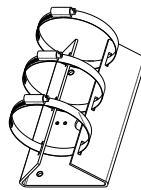
Installation Step:

① Contrarotate the rotary knob and open the clamp

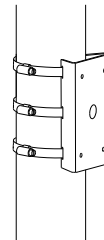


A: Rotary knob

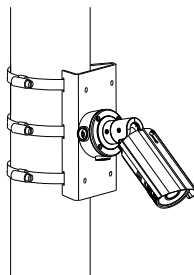
② Thread the clamp through the hole of mounting board



③ Clasp the clamp around the pole and rotate the rotary knob clockwise for tightening



This bracket can be used with some wall mount bracket to realize vertical pole mount, which is as followed:



Note: The actual bracket may vary from the picture above.