



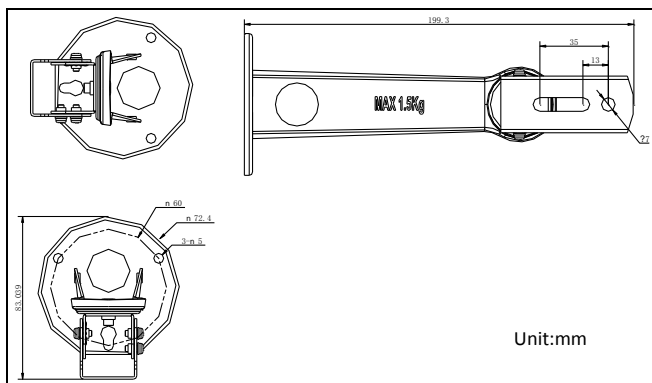
## DS-1298ZJ

Wall Mount Bracket

### Key Features:

- High-strength precision steel, safe and reliable
- Free disassembly design enables easy installation
- The bracket has built-in outlet hole
- Adopt convex point design, convenient for angle adjustment.

### Dimension:



### Order Model:

DS-1298ZJ

### Specification:

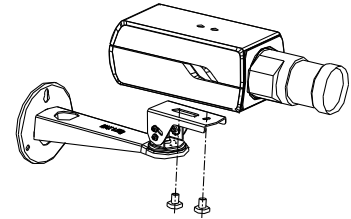
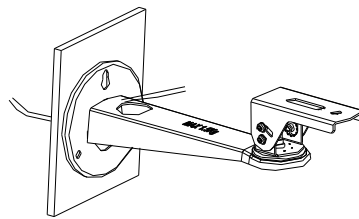
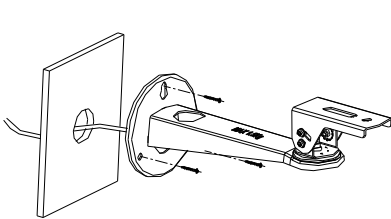
Model	DS-1298ZJ
Parameter	Wall Mount Bracket
Appearance	Hikvision white
Application	For box, bullet and zoom camera
Material	Steel
Angle Adjustment	Pan: 360°, Tilt: -45°~45°
Dimension	199.3×83.04mm
Weight	150g

### Notice:

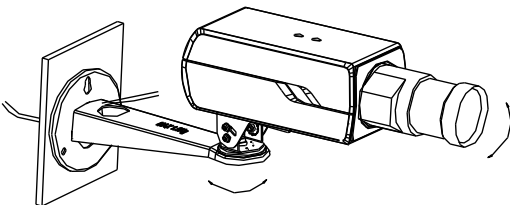
- Notice the color of bracket.
- The bracket should be installed on flat wall.
- The diameter of camera's installation screw hole must be within 6.5mm.
- The wall must be capable of supporting over 3 times as much as the total weight of the camera and the mount.
- The maximum load capacity of the bracket is 1.5KG.

### Installation Step:

- ① Choose the proper wall
- ② Complete bracket installation, threading, adjust direction of pedestal
- ③ Fix camera on the soleplate



- ④ Wiring, adjust the screws to adjust the camera's direction.



**Note:** The actual box camera may vary from the picture above.