



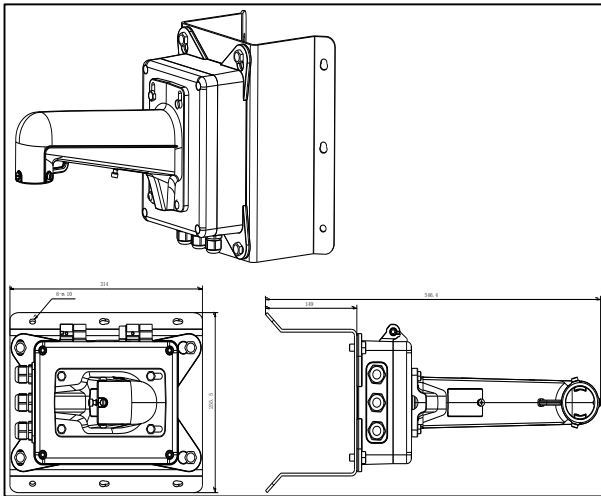
DS-1602ZJ-BOX-CORNER

Long Arm Wall Corner Mount Bracket

Features:

- Aluminum alloy & steel material with surface spray treatment
- Design with junction box
- Design of safety rope for more convenient installation

Dimension:



Note: The actual bracket may vary from the picture above.

Order model:

DS-1602ZJ-BOX-CORNER

Parameters:

Model	DS-1602ZJ-BOX-CORNER
Parameter	Wall Mount Bracket
Color	Hikvision white
Feature	Suitable for speed dome wall corner mounting
Material	Aluminum alloy & Steel
Dimension	255.5×314×546.4mm
Weight	8396g

Notice:

- The bracket should be installed on the flat surface of a wall
- The wall must be capable of supporting more than 3 times the total capacity of the camera and the bracket
- Load capacity of bracket is 10KG