



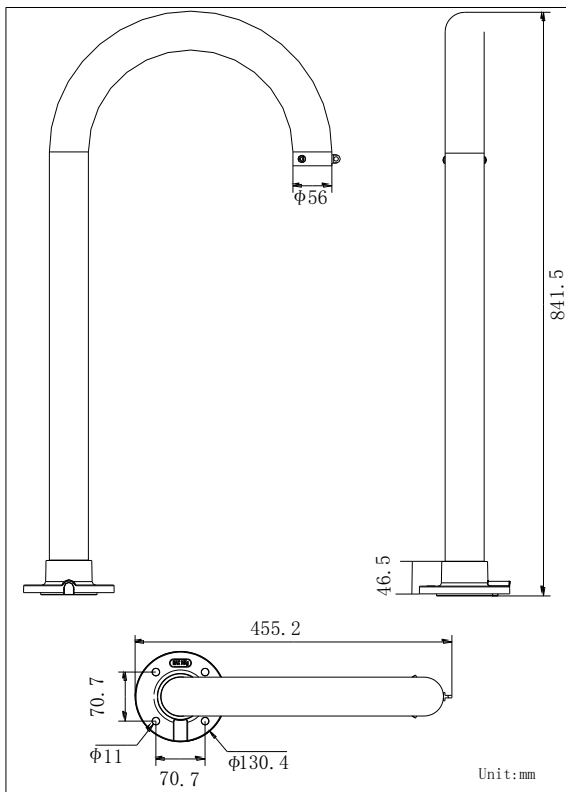
DS-1619ZJ

Swan neck bracket

Features:

- Aluminum alloy and steel tube with surface spray treatment
- Suitable to install on top of poles and walls
- Snap-fit joints, easy to install

Dimension:



Order Model:

DS-1619ZJ

Parameters:

Model	DS-1619ZJ
Parameters	Swan neck bracket
Color	Hik white
Feature	Suitable for PTZ dome cameras
Material	Aluminum alloy and steel tube
Dimension	455.2×130.4×841.5mm
Weight	6426g

Installation steps:

- ① Select a suitable surface for installation and thread the wires.
- ② Loosen two hex screws, align the PTZ dome to the screws on the bracket and rotate 180 degrees.
- ③ Tighten the two hex screws.

