



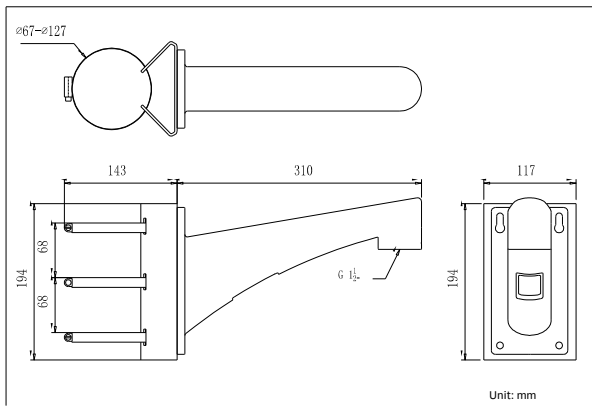
DS-1622ZJ

Pole Mount Bracket

Features:

- Aluminum alloy material with surface spray treatment
- Size of threaded hole is G1½ as British system
- Nose-up long arm design for better waterproof
- Design of safety rope for more convenient installation

Dimension:



Order Model:

DS-1622ZJ

Parameter:

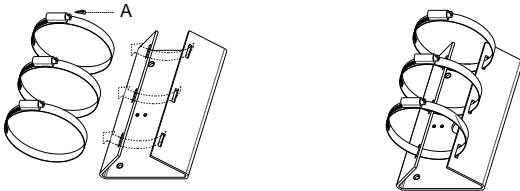
| | |
|----------------------|--|
| Model | DS-1622ZJ |
| Parameter | Vertical Pole Mount Bracket |
| Appearance | Hikvision White |
| Range of Application | For pole mount Size of clamp: $\varnothing 67-127\text{mm}$ |
| Material | Aluminum Alloy |
| Dimension | 117×194×310mm |
| Weight | 1600g |

Notice:

- The bracket should be installed on plat wall
- The bracket is suitable for vertical pole mount of 67-127 mm diameter
- Load capacity of pole should be more than 3 times the weight of camera and bracket
- Load capacity of bracket is 30KG

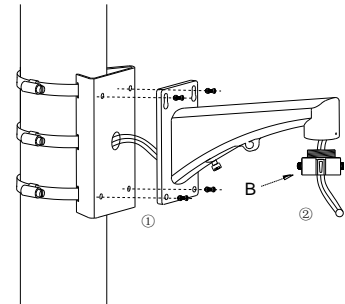
Installation Step:

① Rotate the rotary knob and install clamp to pole



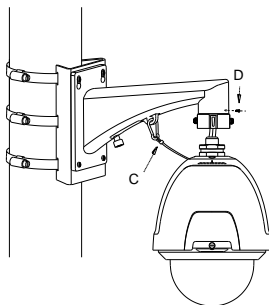
A: Adjust knob of tightness

② Install the wall mount accessory, screw up the adaptor ring and thread the cable



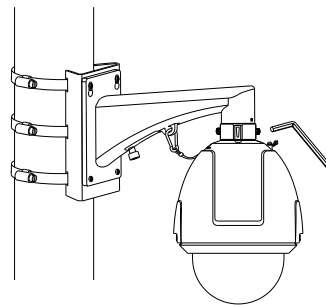
B: Adaptor ring

③ Tie the safety rope to hook and fix the adaptor ring with tightening screw, then thread the cable



C: Safety rope D: Tightening screw

④ Install the speed dome and rotate the set screw; installation complete



Note: The actual bracket may vary from the picture above.