

DS-1331HZ-CE

Outdoor Housing



Features:

- Adopt side-cover design for convenient installation and maintenance.
- Adopt stainless steel dual-hasp design, water-proof up to IP 67
- Partial glass silk print to protect imaging area
- Built-in automatic temperature control system to ensure stable running.
- POE(802.3at) module for camera and fan

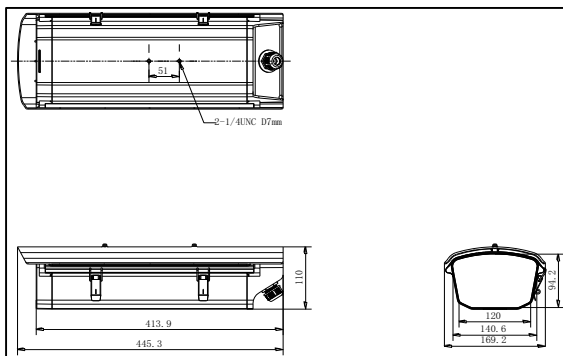
Notice:

- Read the instructions carefully and observe all warnings before installing this equipment.
- Turn off the power before wiping this equipment, do not use liquid or spray cleaning agent.
- Do not install on unstable bracket.
- Protect the power line, especially the flexible line of the plug and camera.

Order Model:

DS-1331HZ-CE

Dimension:



Parameter:

| | | |
|-------------------------------------|-------|--|
| Parameters | Model | DS-1331HZ-CE |
| | | Outdoor Housing |
| Produce features | | Contain fan, suitable for high temperature environment |
| Working temperature | | -20°C ~ +60°C, Humidity 95% or less (non-condensing) |
| Automatic temperature control range | | Without heating Fan on: 45°±5°C Fan off: 35°±5°C |
| Power | | DC12V&POE(802.3at) |
| Power consumption | | Fan: 4W |
| Protection level | | IP67 |
| Material | | Main: aluminum alloy Window: glass |
| Dimension(mm) | | 455.3×169.2×110 |
| Matching power supply | | DC12V&POE(802.3at) |
| Weight | | 1900g |

Installation:



DS-1293ZJ Wall Mount



DS-1214ZJ Horizontal Pole Mount



DS-1269ZJ Pendant Mount



DS-1233ZJ Column Mount

Wiring:

