



## DS-1331HZ-T

### Outdoor Housing

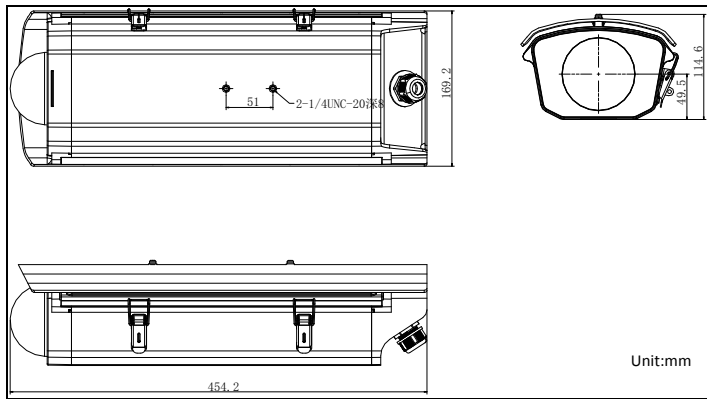
#### Key Features:

- Adopt side-cover design for convenient installation and maintenance
- Adopt stainless steel dual-hasp design, water-proof up to IP 67
- Partial glass silk print to protect imaging area
- Built-in automatic temperature control system to ensure stable running
- Hemispheric refractor, suitable for wide-angle lens

#### Order Model:

DS-1331HZ-T

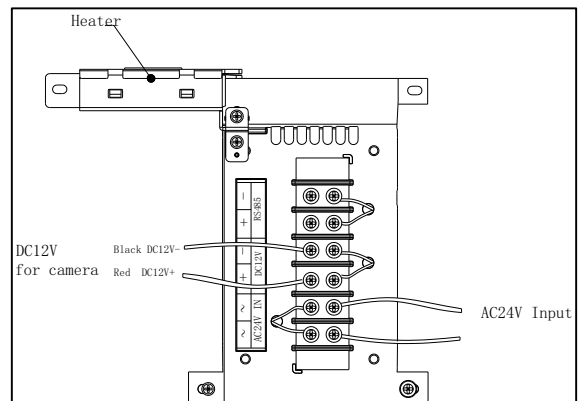
#### Dimensions:



#### Specification:

Model	DS-1331HZ-T
Parameter	Outdoor Housing
Produce Feature	Contain fan, heater, suitable for high & low temperature environment
Working Temperature	-40°C ~ +60°C
Automatic temperature control range	-40°C ~ +60°C Heater on: 5°C±5°C, off: 15°C±5°C (fan on) Fan on: 45°C±5°C, off: 35°C±5°C
Power	AC24/4A
Power Consumption	Fan: 4W, Heater: 60W
Protection Level	IP67
Material	Main: aluminum alloy; Window: Polycarbonate
Dimension(mm)	454.2×169.2×114.6mm
Weight	1.9Kg

#### Wiring:



#### Accessory:



DS-1293ZJ Wall Mount



DS-1214ZJ Horizontal Pole Mount



DS-1269ZJ Pendant Mount



DS-1233ZJ Column Mount