

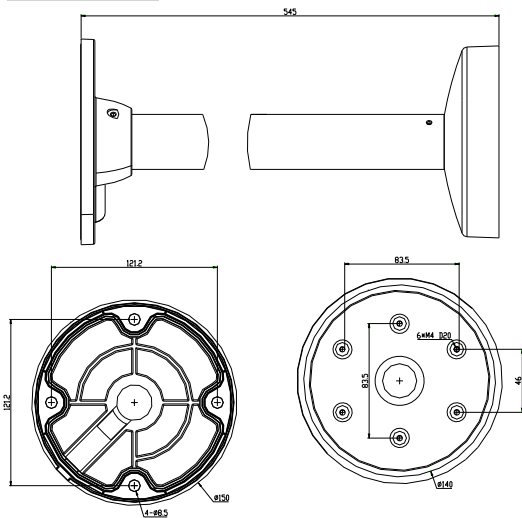
## DS-1238ZJ

Pendent Mounting Bracket for Dome Camera

### Features:

- Aluminum alloy material with surface spray treatment
- Waterproof design
- Design of cap is for convenient wiring

### Dimension:



### Order Model:

DS-1238ZJ

### Parameter:

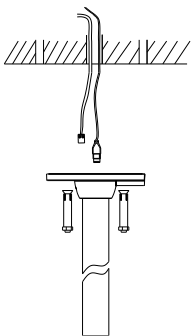
Model	DS-1238ZJ
Parameters	Pendent Mounting Bracket for Dome Camera
Appearance	Hikvision White
Material	Aluminum Alloy
Dimension	Φ 150 X 545mm
Weight	1400g

### Notice:

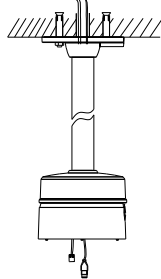
- The bracket should be installed on flat wall
- Waterproof rubber is necessary for outdoor application
- The wall must be capable of supporting over 3 times as much as the total weight of the camera and the mount.
- The maximum load capacity of the bracket is 4.5KG

### Installation Step:

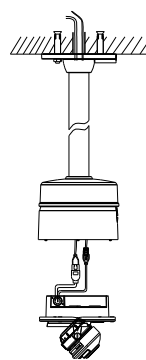
① Choose the appropriate wall to install the bracket and thread the cable



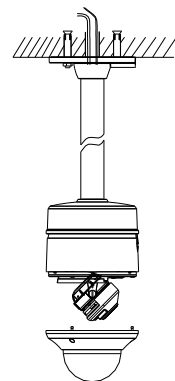
② Separate basement and dome, then connect basement to bracket



③ Thread the wire and fix the dome to basement



④ Fix the lower case and complete the installation



**Note:** The actual dome camera may vary from the picture above.