



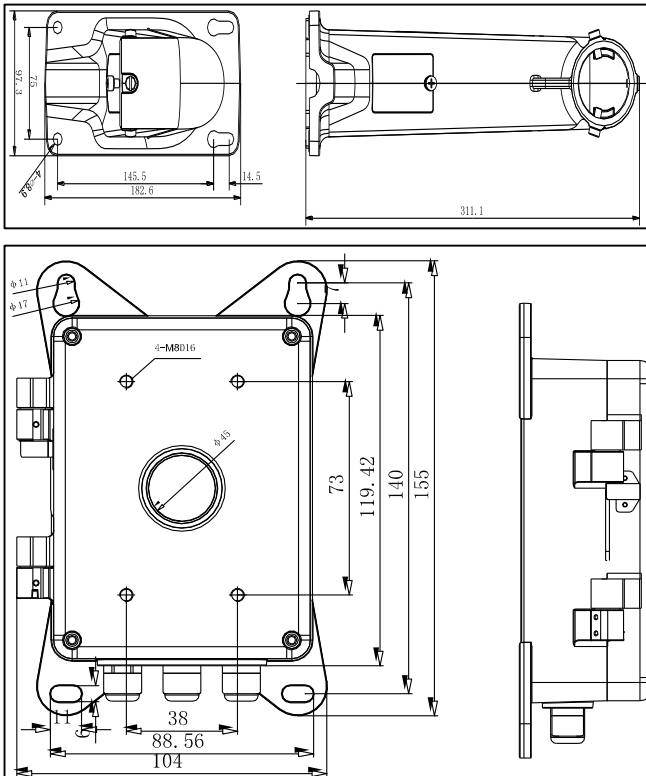
## DS-1602ZJ-box

Wall Mount Bracket Indoor/Outdoor

### Features:

- Aluminum alloy material with surface spray treatment
- General design for indoor/outdoor
- Better water proof design
- With safety rope, the assembling is safer and more convenient

### Dimension:



**Note:** The actual bracket may vary from the picture above.

### Order model:

DS-1602ZJ-box

### Parameters:

|           |  |
|-----------|--|
| Model     | DS-1602ZJ-box                            |
| Parameter | Wall Mount Bracket In/Outdoor            |
| Color     | Hik white                                |
| Feature   | Suitable for speed dome pendent mounting |
| Material  | Aluminum alloy                           |
| Dimension | 396.5×209×310mm                          |
| Weight    | 3230g                                    |

### Notice:

- The bracket should be installed on the flat surface of a wall
- The wall must be capable of supporting more than 3 times the total capacity of the camera and the bracket.