

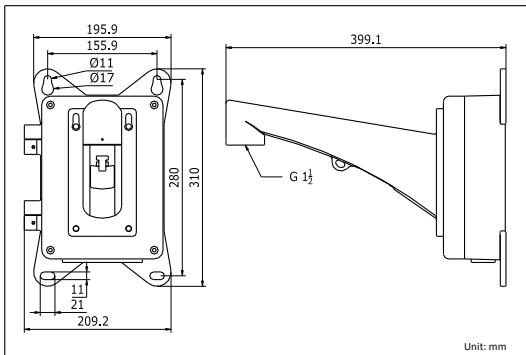
DS-1634ZJ

Long Arm Wall Mount Bracket
(With junction box)

Features:

- Aluminum alloy material with surface spray treatment
- Size of threaded hole is G1½ as British system
- Nose-up long arm design for better waterproof
- Design of safety rope for more convenient installation

Dimension:



Note: The actual bracket may vary from the picture above.



Order Model:

DS-1634ZJ

Parameter:

Model	DS-1634ZJ
Parameter	Vertical Pole Mount Bracket
Appearance	White Hikvision White
Range of Application	For pole mount Size of clamp: Φ67-127mm
Material	Aluminum Alloy
Dimension	209.2×310×399.1mm
Weight	2800g

Notice:

- The bracket should be installed on plat wall
- Load capacity of pole should be more than 3 times the weight of camera and bracket
- Load capacity of bracket is 30KG