

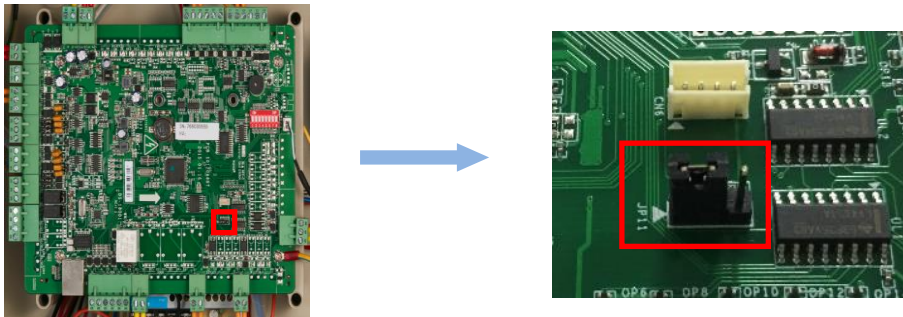
How to Initial Access Controller

Preparation

In this document, the access controller includes DS-K2600 series and DS-K2800 series access controllers.

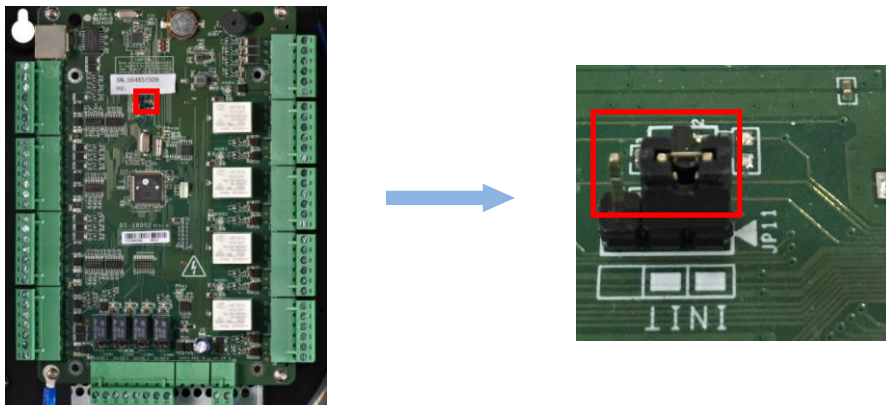
Notice

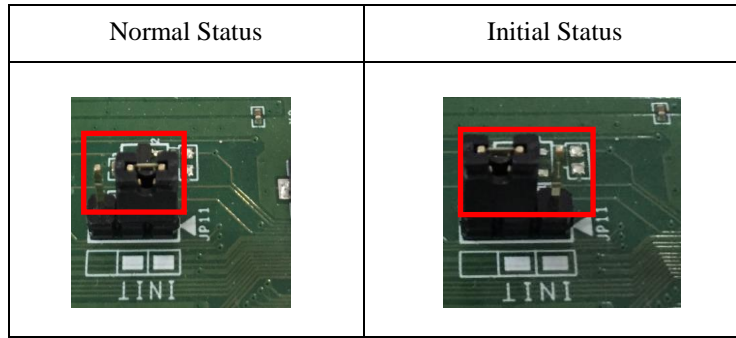
1. Please make sure access controllers are powered on before initializing the hardware;
2. Initializing the hardware will restore device to factory, and all parameters what you set will be erased;
3. After initializing, please activate access controllers again by setting a new strong password;
4. For DS-K2600 series access controllers the initial jumper is in the same position, please find it in access controller mainboard as following pictures:



Normal Status	Initial Status

5. For DS-K2800 series access controllers the initial jumper is in the same position, please find it in access controller mainboard as following pictures:





Mothed

Step 1:

Please jump the jumper from Normal Status to Initial Status;

Step 2:

Please cut off the access controller power suply, and please restart the access controller after several seconds, the controller buzzer buzzes a long warning;

Step 3:

After the buzzer stops, please jump the jumper from Initial Status to Normal Status;

Step 4:

Please cut off the access controller power suply and restart the access controller;

Title:	How to Initial Access Controller	Version:	v1.0	Date:	7/19/2017
Product:	Access Control Device	Page:	3 of 3		



First Choice for Security Professionals
***HIK*VISION Technical Support**